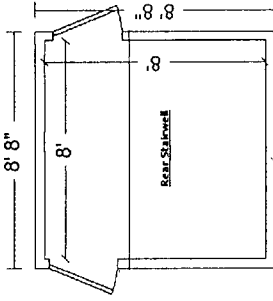


**367 Harvard Street, Cambridge, MA 02138**

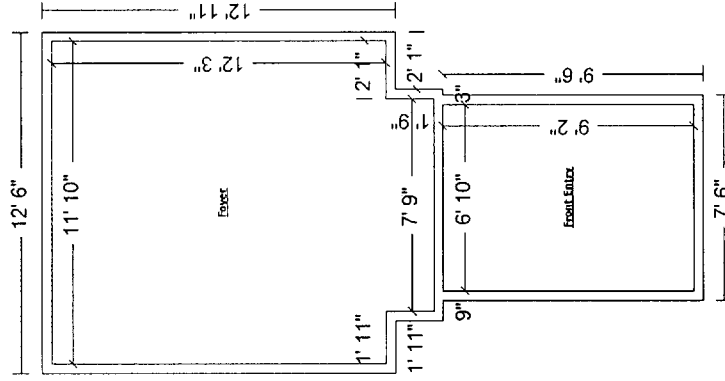
**Four Story – Eight Unit – Apartment Building**

**FLOOR PLANS**

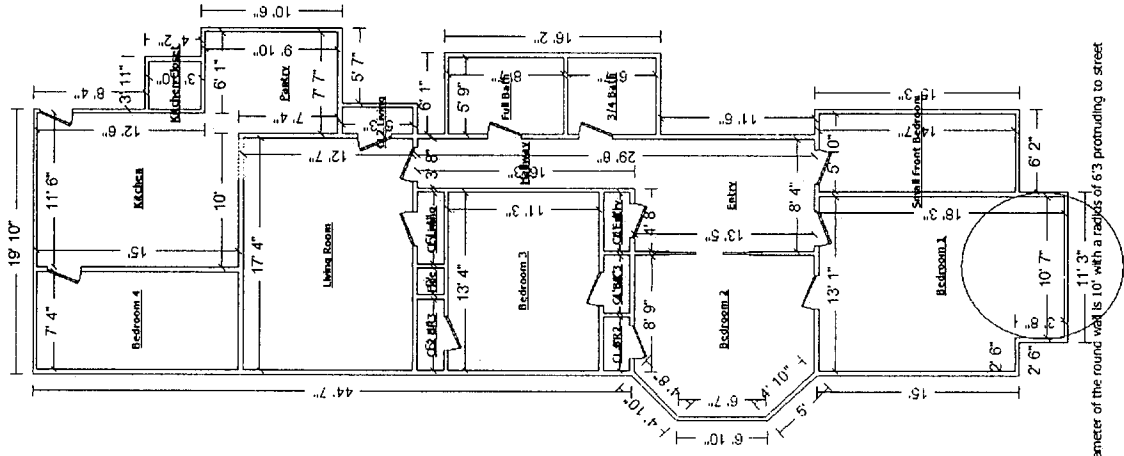
Landing 3'3" wide x 8'



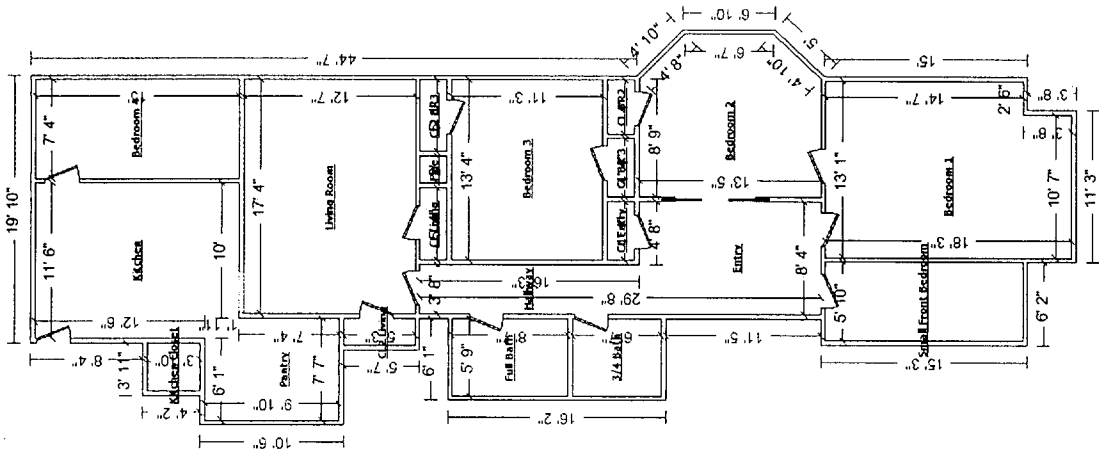
Rear stairwell off of kitchen, front foyer and entry off of unit entry



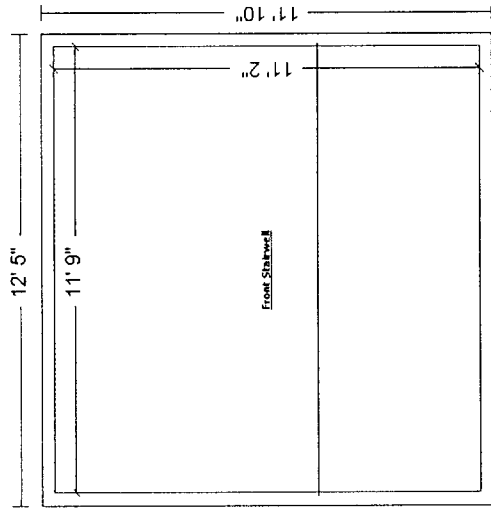
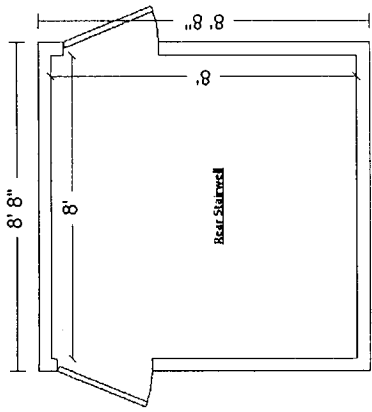
Unit 1 - Main Level



Unit 2 - Main Level

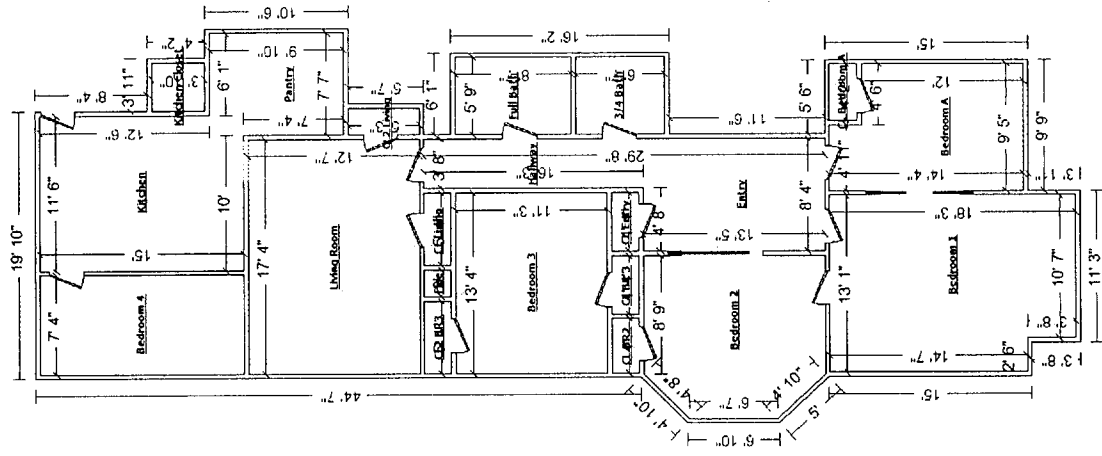


Second Floor Common - Main Level

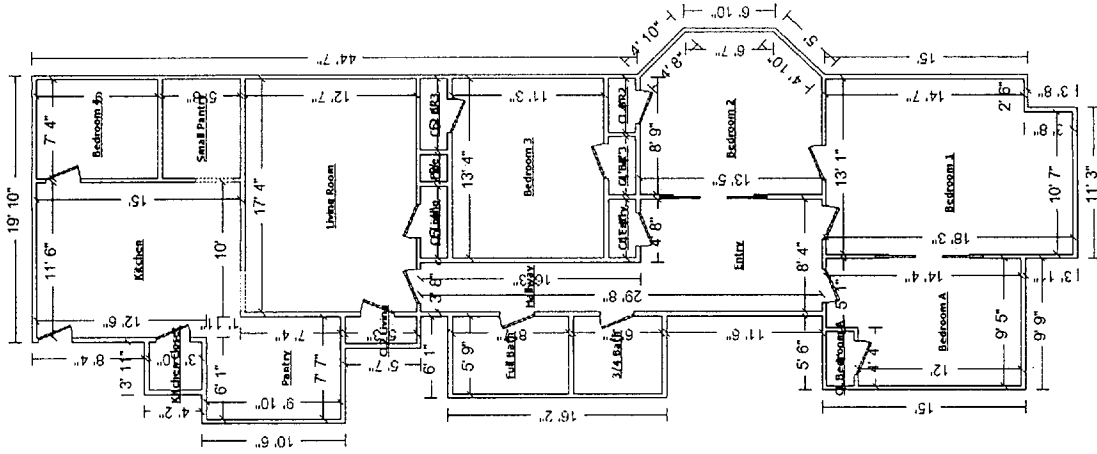


Landing is 4'4" wide

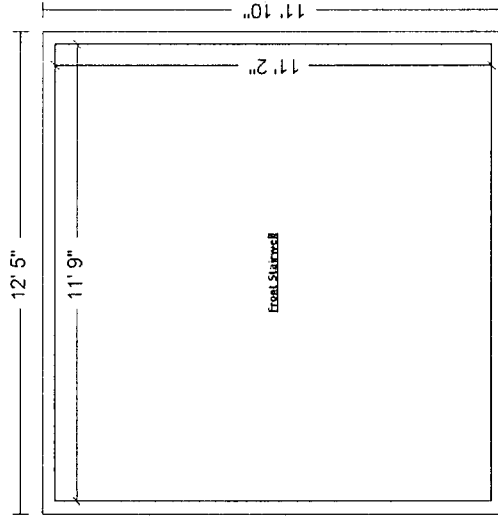
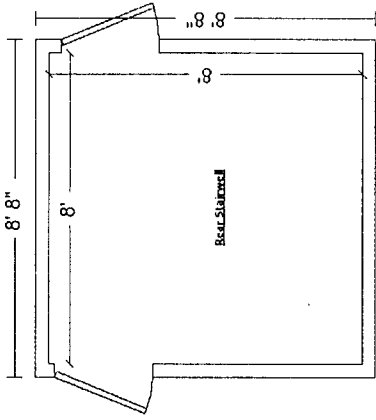
Unit 3 - Main Level



Unit 4 - Main Level

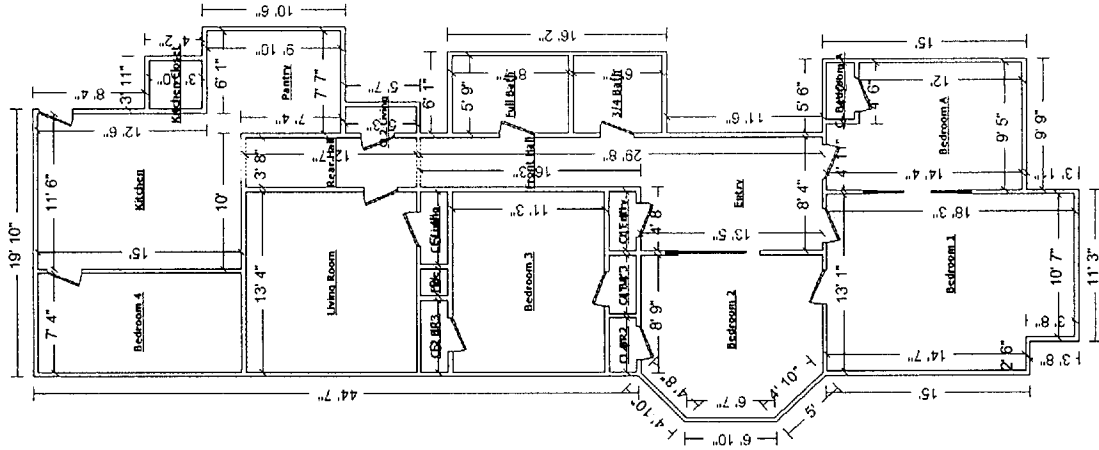


Third Floor Common - Main Level

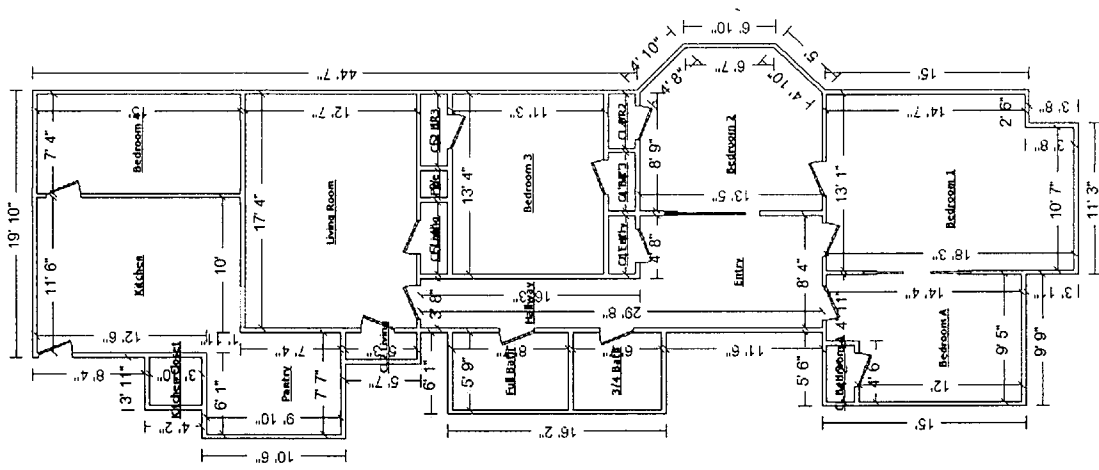




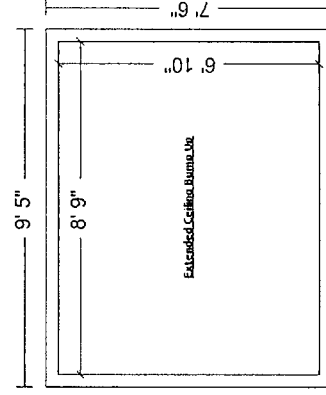
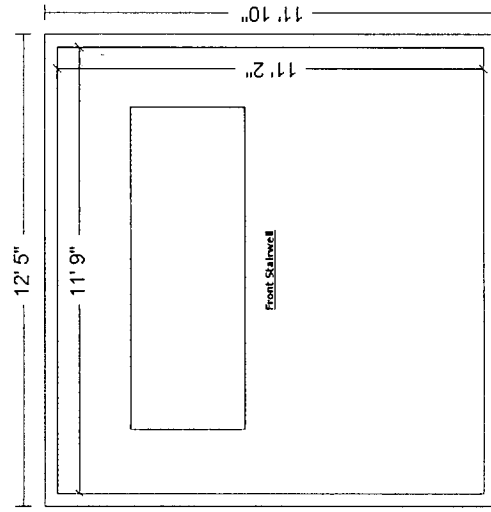
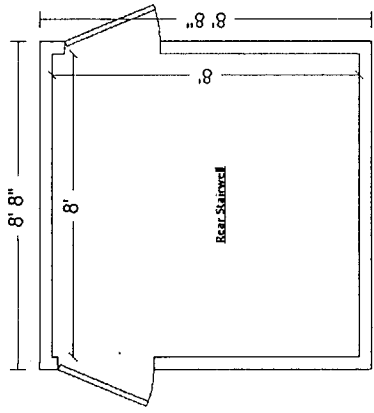
Unit 5 - Main Level



Unit 6 - Main Level



Fourth Floor Common - Main Level



Withing the 4th floor front stairwell is an extended bump up ceiling area.





